



WOOD STOVE
MODEL VC16

INSTALLATION & OPERATION

Save These Instructions

APPROVED FOR RESIDENTIAL
OR MOBILE HOME USE

VALLEY COMFORT SYSTEMS INC.

VALLEY COMFORT SYSTEMS INC.
1290 COMMERCIAL WAY
PENTICTON, B.C. V2A 3H5
TEL: 250 493-7444

INDEX

Mobile Home Caution	1
Mobile Home Installation	1 = 2
Residential Caution	2
Residential Installation	2 = 3
Operating	3
Glass Door	4
About Draft	5
Figure 1	6
2	7
2A	8
3	9
4	10
5	11
6	12
7	13
Warranty & Registration	14

VALLEY COMFORT SYSTEMS INC., BOX 777, PENTICTON, B.C.
V2A 6Y7
PHONE (604) 493-7444

Congratulations and Thank-you! You have selected a quality appliance from Valley Comfort who have been building quality wood stoves in Canada for over 35 years. We strive to give you, our customers, the very best value possible. Please take a few minutes to read these instructions carefully BEFORE you begin the installation. Safety is our prime concern. To insure a safe and satisfactory installation and years of happy warm performance, PLEASE READ AND FOLLOW THESE INSTRUCTIONS CAREFULLY. Obtain all information and permits required by local codes. If there is any difference between these instructions and local codes, choose the safer requirements. Your VC16 has been tested and approved to the following standards of Warnock Hersey Labs., 211 Schoolhouse St., Coquitlam, B.C.

CSA B366.2

ULC S627P

UL 1482

MOBILE HOME INSTALLATION AND CAUTION NOTES

- 1) The space heater is not to be connected to any air distribution system.
- 2) Adequate outside combustion air must be provided into the base of the unit.
- 3) The structural integrity of the mobile home floor, wall and ceiling must be maintained.
- 4) Do not connect this unit to a chimney flue serving other appliances.
- 5) WARNING - DO NOT INSTALL IN A SLEEPING ROOM.
- 6) Use only approved chimney components.

INSTALLATION (MOBILE HOME)

- 1) After locating possible obstructions (joists, pipes, etc.) and taking into account the necessary combustible clearances (fig. 2) position the stove in the intended installation position. Use plumb line to locate the position of the ceiling hole for the chimney. Size the chimney hole to the manufacturers recommended clearance for your chimney and mark the hole.
- 2) Mark a pencil outline around the base of the stove. Move the stove out of the way.
- 3) Mark with a pencil the holes to be drilled to fasten the stove to the floor, then mark with a pencil, a 5 - 1/8 inch hole for the fresh air intake. This may be positioned anywhere under the stove.
- 4) If the ceiling and floor are clear of all obstructions, cut out the holes.
- 5) In the case of attic space, use a plumb line to locate the hole in the roof. Cut out the opening keeping in mind the manufacturer's recommended clearances.
- 6) Install the outside air duct to the floor using screws or nails. Ensure that your air duct has a screen or mesh to keep out predators. Air duct must be 5 inches.

- 7) Install a hearth pad (if required) according to local building codes or manufacturer's specifications. (See fig. 1&2)
- 8) Position the stove on the hearth and lag bolt the stove to the floor. Ensure that your lag bolts fasten securely to the floor of the mobile home.
- 9) Ground your stove to the mobile home frame with a minimum 8 gauge wire.
- 10) Install the first section of double wall pipe to the stove by carefully pushing it down on the flue collar, making sure it seats. Place the trim collar, black side down, over the first section of chimney pipe at this time.
- 11) Check all chimney pipes for damage. Do not use any damaged pipe. Installation procedures may vary from manufacturer to manufacturer of chimneys. Install rest of the chimney up through the hole in the ceiling and roof as per chimney manufacturing instructions.
- 12) After the chimney is perpendicular, fasten the trim collar to the ceiling.
- 13) In cases where there is an attic space, install a protective joist shield tube or box. Consult local building officials or chimney manufacturer.
- 14) Install the roof flashing, sealing water tight. Install chimney cap. NOTE: Refer to chimney manufacturing specifications. Chimney height, (See fig. 3)
- 15) If you obtained a fan option for your heater, install it as per Figure 5.
- 16) Call for final inspection.
- 17) Read carefully the operating instructions.
- 18) Your stove is ready to burn.
- 19) Just after starting the fire, some smoke may occur until chimney is warmed to provide draft.

RESIDENTIAL CAUTIONS

- 1) Minimum 6" diameter connector to be of Class C 24 gauge blackwall or 25 gauge blued steel pipe. Chimney connector shall not pass through attic or roof space etc. or partition of combustible materials.
- 2) The space heater is not to be connected to any air distribution system.
- 3) Connect only to a chimney approved for use with solid fuel and which has been thoroughly inspected for defects. Minimum size 6 inches.
- 4) Ensure there is an adequate supply of outside combustion air.
- 5) Where UL specifications apply, do not connect this appliance to a flue serving another appliance. Canadian specifications allow multiple appliance connection under some conditions. Check with your local building or fire authority.

RESIDENTIAL INSTALLATIONS

- 1) Locate your heater with the following priority considerations:
 - a) Safety, see Fig. 1,2 & 2A for clearances.
 - b) Keep chimney connector minimum length and observe clearances.

- 2) Maintain all clearances to all combustibles including curtains, furniture, wood supply, etc., as specified in Fig. 1 & 2.
- 3) When purchased, your VC16 is equipped for installation using outside air. If you are not using direct outside combustion air, you must remove the air entrance plate located on the rear base of your stove. See Fig. 4.
- 4) Ensure that all Class C single wall pipe is secured at each joint with 3 sheet metal screws and ensure a tight fit at the stove collar and chimney thimble. Maintain adequate clearances to combustibles.
- 5) If you purchased an optional fan kit with your VC16, install it as per instructions in Fig. 5.
- 6) To ensure vertical alignment of the flue, suspend a plumb line from the ceiling over the center of the stove flue outlet and mark ceiling. Be sure above ceiling is clear for cutting. Mark stove location on the floor and remove stove. See Fig. 7.
- 7) Install chimney according to manufacturer's instructions.
- 8.) Install hearth on floor and ensure the hearth extends beyond the stove as in Fig. 1 & 2.
- 9) When floor covering is completed, relocate stove under chimney using plumb line.
- 10) Install chimney connector of 24 gauge blackwall or 25 gauge blued steel pipe.
- 11) IMPORTANT: For any other installation pattern, check with your local building inspector.

OPERATING INSTRUCTIONS

CAUTIONS: DO NOT USE CHEMICALS OR FLUIDS TO START OR FRESHEN UP A FIRE. DO NOT BURN GARBAGE OR FLAMMABLE FLUIDS SUCH AS GASOLINE, NAPHTHA, OR ENGINE OIL.

1) This unit is designed to burn wood only. Build the fire directly on the hearth. Do not use grates. Your stove will burn better with about one inch of ash in the bottom, but never let the ash build up to the level of the combustion air inlet.

Your VC16 is a very efficient "airtight" heater and if you use high quality wood, there will be very little ash residue.

2) Use only the best grade of dry wood available. It takes a full year to properly dry your split wood, so plan ahead. Burning wet or green wood greatly increases the chance of creosote build-up and produces less heat and much less efficiency. Store your fuel in a dry location and be sure to maintain clearances from wood supply to your stove. See Fig. 1 & 2.

3) Small hot fires produce less creosote than long low smoldering fires. When you start your stove, open the draft fully and once or twice each day repeat this high burning cycle to reduce any creosote buildup. Just after starting the fire, some smoke may occur until the chimney warms up to produce some draft. During normal operation, adjust the draft to the position required by your heat demand.

4) Make routine inspections of your flue systems at least once every two months to ensure clean safe operation.

5) Ensure an adequate supply of outside combustion air is available. Failure to provide adequate combustion air is dangerous.

CREOSOTE - FORMATION AND NEED FOR REMOVAL

6) When wood is burned slowly, it produces tar and other organic vapors which combine with expelled moisture to form creosote. The creosote vapors condense in the relatively cool chimney flue of a slow-burning fire. As a result, creosote residue accumulates on the flue lining. When ignited, this creosote makes an extremely hot fire. The chimney connector and chimney should be inspected at least twice monthly during the heating season to determine if a creosote buildup occurred. If creosote has accumulated, it should be removed to reduce the risk of chimney fire.

DISPOSAL OF ASHES

7) Ashes should be placed in a metal container with a tight fitting lid. The closed container of ashes should be placed on a noncombustible floor or on the ground, well away from all combustible materials, pending final disposal. If the ashes are disposed of by burial in soil or otherwise locally dispersed, they should be retained in the closed container until all cinders have thoroughly cooled.

8) Maintain door seals etc., to ensure an airtight fit. Operate only with the fire door closed. Open door only to fuel the fire.

9) Resist the temptation to refuel too soon. Let the fire burn down to just glowing coals before you open the door. This will be the most efficient operation and there will be less smoking. Do not overfire.

10) Contact your local or provincial fire authority for information on how to handle a chimney fire.

HAVE A CLEARLY UNDERSTOOD PLAN TO HANDLE A CHIMNEY FIRE.

11) For further information on using your heater safely, obtain a copy of the National Fire Protection Association publication "Using Coal and Wood Stoves Safely" NFPA No. hs-8-1974. The address of the NFPA is 470 Atlantic Ave., Boston, Mass. 02210.

GLASS DOOR

1) Never clean hot glass.

2) Clean with an approved cleaner. Never use an abrasive.

3) Excessive mechanical stress will crack or break the glass. Should breakage occur, see your dealer or carefully remove retainer clip screws to release glass. Dispose of broken glass in a safe place. Replace glass only with 5mm neoceram available from your dealer or Valley Comfort Systems. Always replace the gasket with a glass replacement. Check glass after heater has been fired to ensure a tight seal. Tighten clips just enough to provide the air tight seal. Uneven pressure from over tightened screws break the ceramic (glass). See Fig. 6.

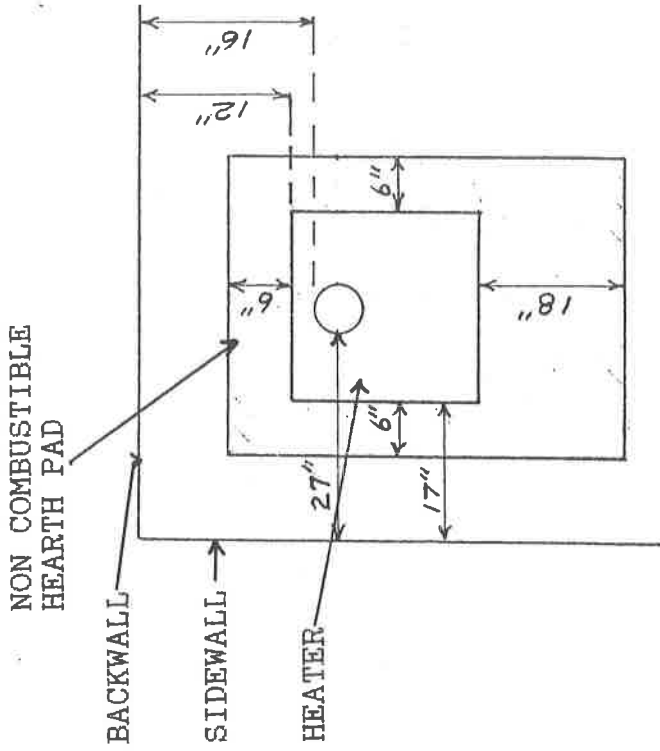
4) Never build the fire right up against the glass and ensure the glass wash secondary air draft slot is open.

A WORD ABOUT DRAFT

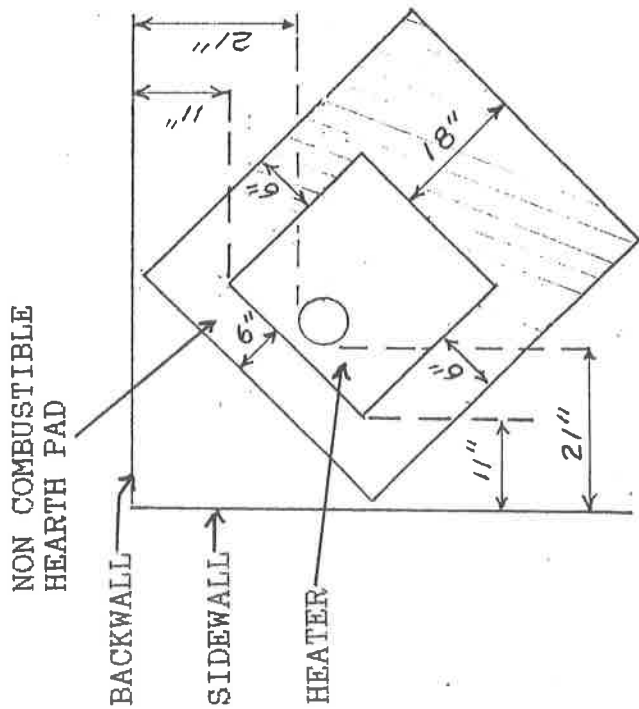
The principle of draft is that warm air rises. Your chimney provides draft which sucks the smoke up the chimney. The stove does not "push" out the smoke. Your VC16 has been designed and approved for use under normal conditions. Unacceptable smoking usually indicates poor draft in your chimney system. CHECK THAT YOU HAVE PROVIDED FOR ADEQUATE OUTSIDE AIR FOR COMBUSTION.

POSSIBLE CAUSES FOR SMOKING ARE:

- 1) Insufficient chimney height above nearby obstructions.
- 2) Clogged or obstructed chimney system.
- 3) Downdrafts caused by nearby trees, hills, buildings, etc.
- 4) No rise allowed in flue connector, or too long a run of flue connector which allows flue gases to cool.



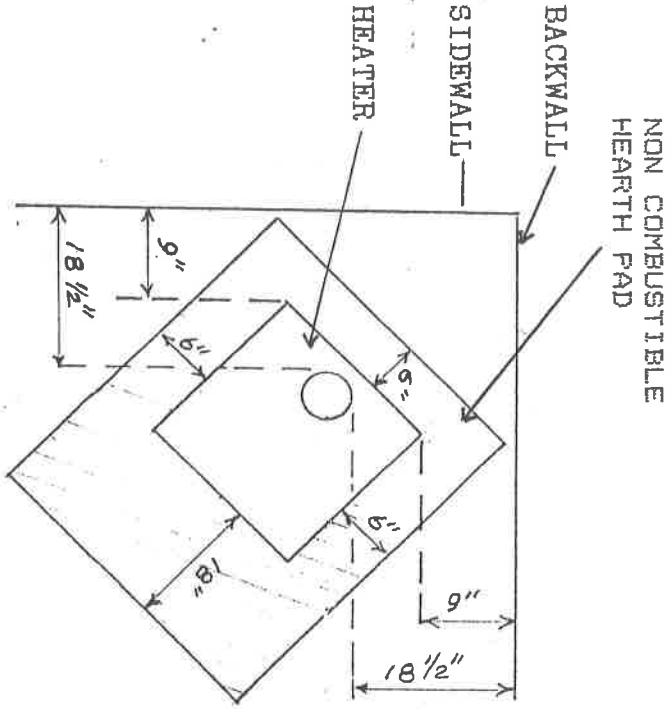
STRAIGHT WALL INSTALLATION



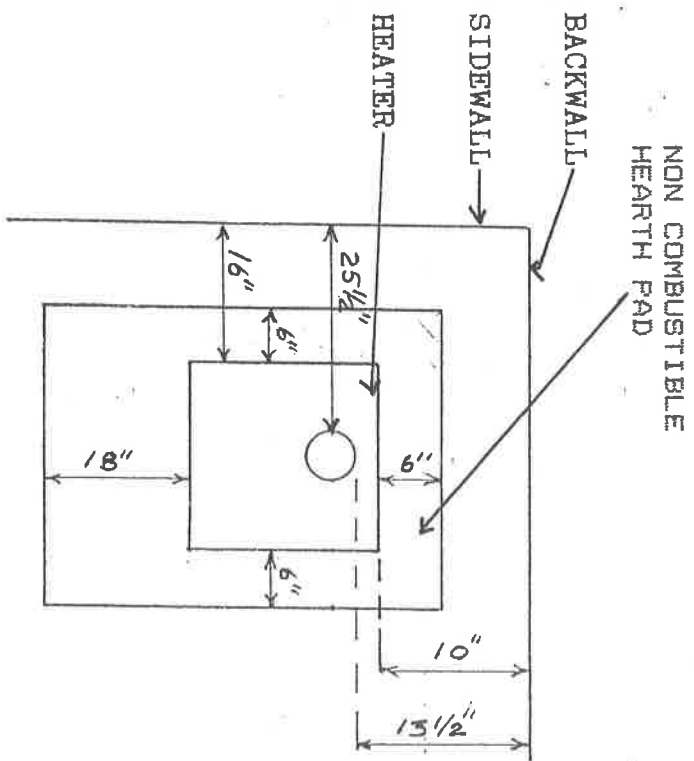
CORNER INSTALLATION

CLEARANCE TO COMBUSTIBLES MODEL VC16
USING SINGLE WALL CLASS C FLUE CONNECTOR
RESIDENTIAL INSTALLATION ONLY

FIGURE 1



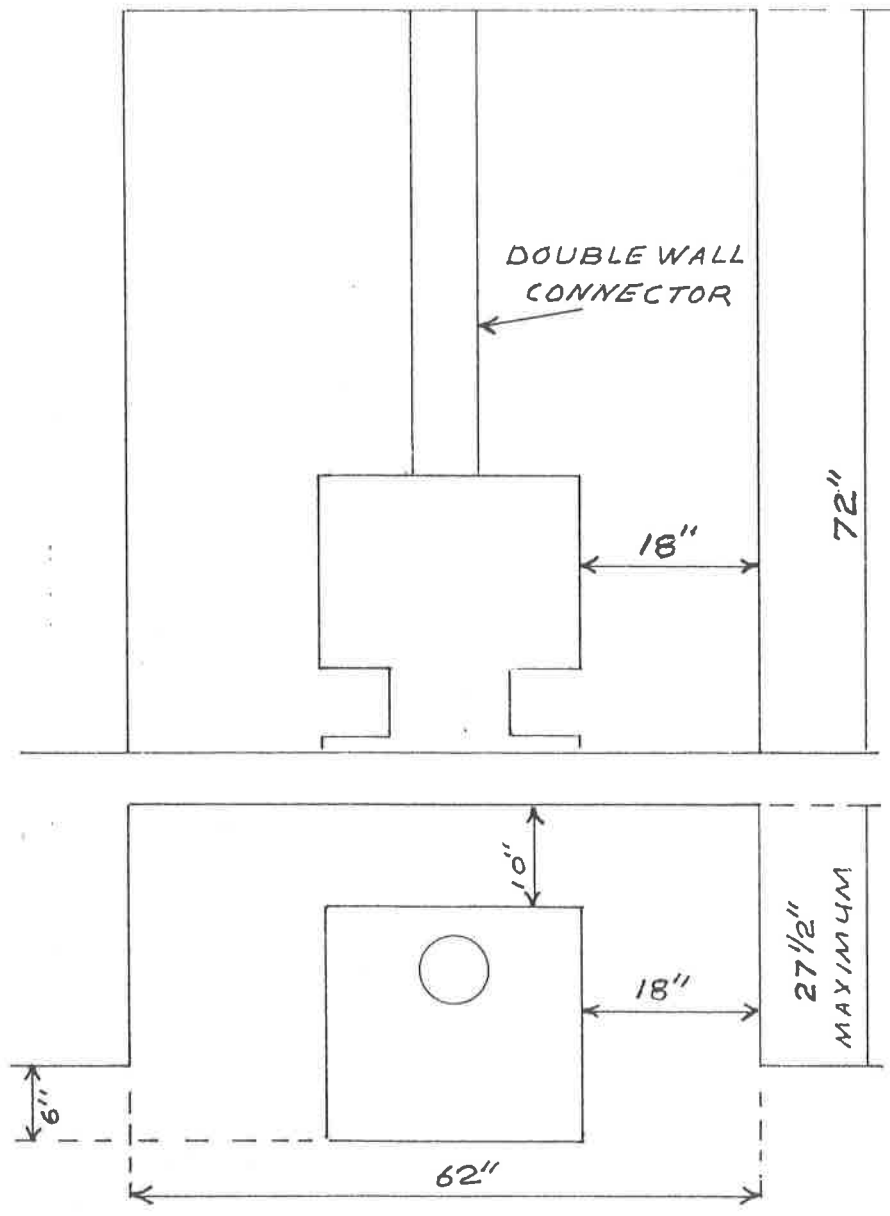
CORNER INSTALLATION



STRAIGHT WALL INSTALLATION

CLEARANCE TO COMBUSTIBLES MODEL VC16
 MOBILE HOME INSTALLATION USING LISTED APPROVED DOUBLE WALL FLUE CONNECTOR SYSTEM
 BRAND NAMES SECURITY OR PROVENT
 OR
 RESIDENTIAL INSTALLATION FOR REDUCED CLEARANCE USING LISTED APPROVED DOUBLE WALL FLUE CONNECTOR
 BRAND NAMES SECURITY OR PROVENT

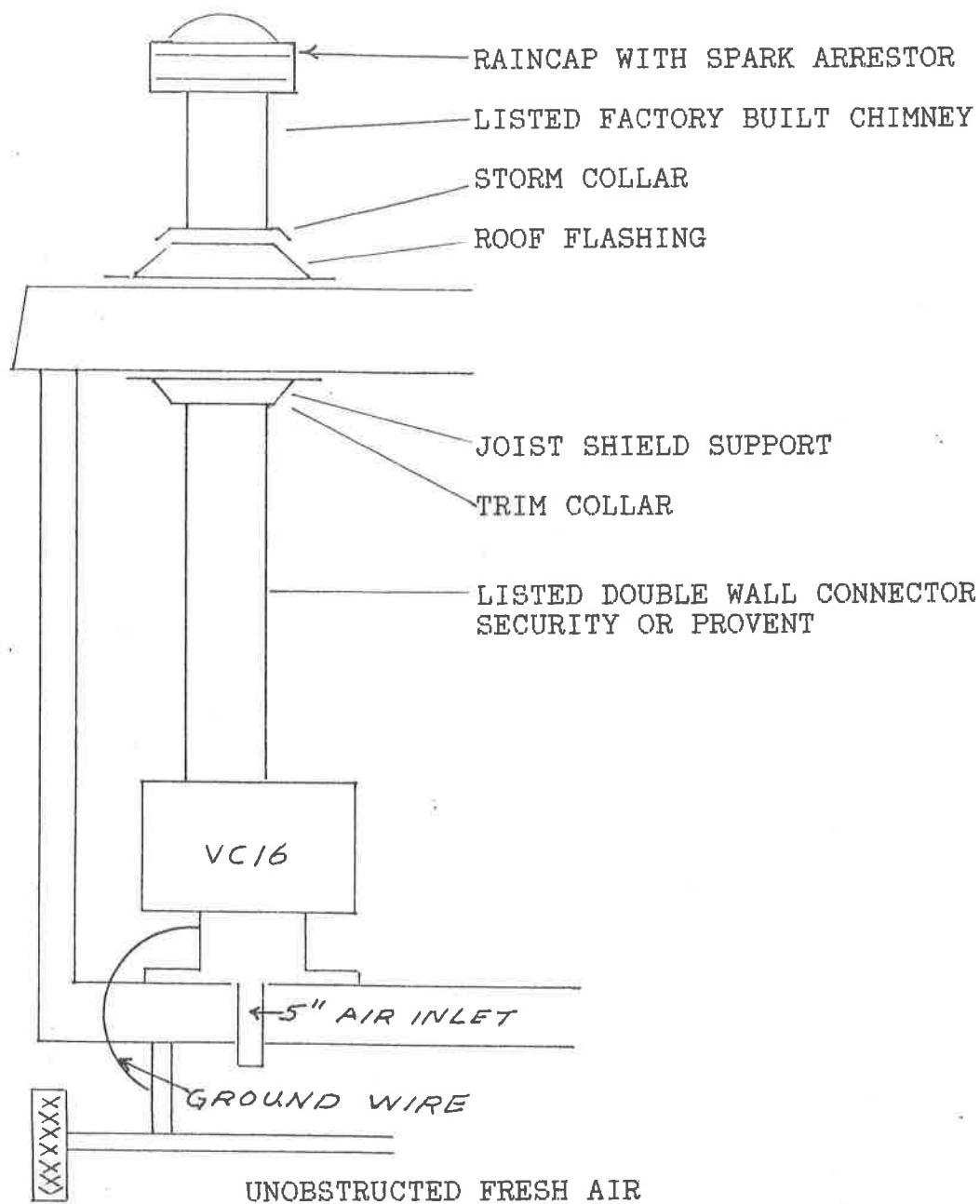
FIGURE 2



CLEARANCE TO COMBUSTIBLES MODEL VC16

ALCOVE INSTALLATION USING DOUBLE WALL CONNECTOR FLUE SYSTEM
APPROVED FOR USE WITH SECURITY OR PROVENT BRAND DOUBLE WALL

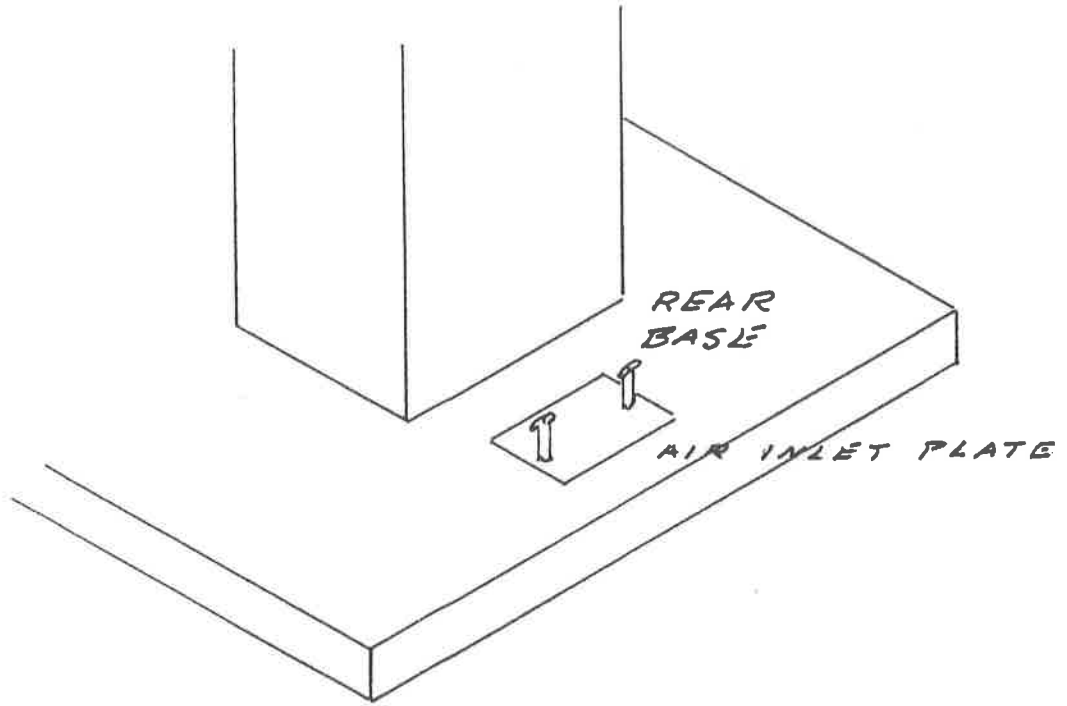
FIGURE 2A



TYPICAL MOBILE HOME INSTALLATION VC16

WHEN INSTALLED WITH LISTED DOUBLE WALL FLUE CONNECTOR COMPONENTS THE UNIT MAY ALSO BE INSTALLED IN CONVENTIONAL HOMES FOR REDUCED CLEARANCES --- SEE FIGURES 1, 2, 2A

FIGURE 3



NOT TO SCALE

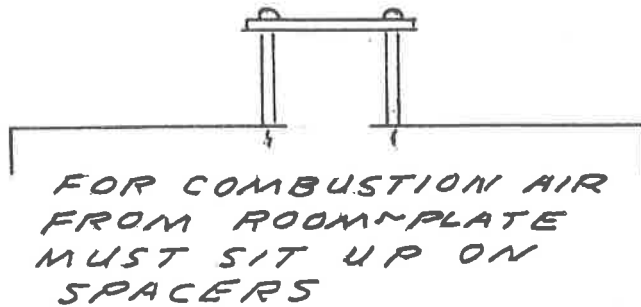
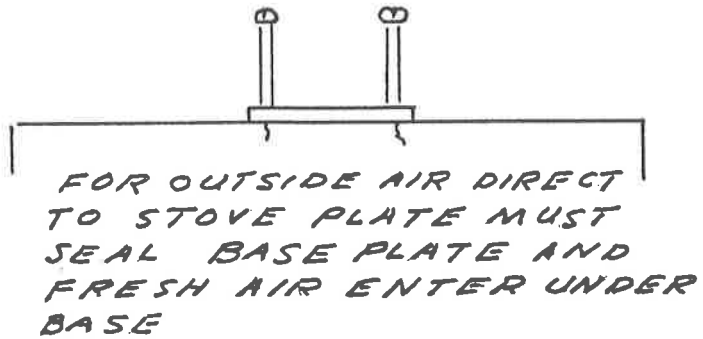
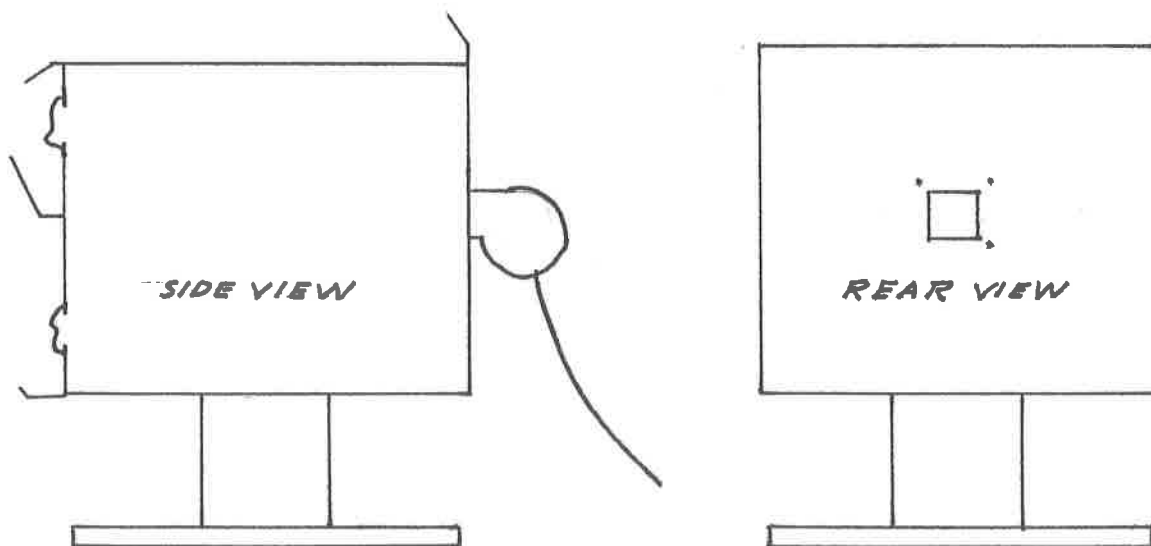


FIG 4

Handwritten signature or mark.

INSTALLATION OF OPTIONAL FAN KIT

- 1) Install Torin model WB 70.2 as shown below using 3 - 1/2 x #12 self tapping screws
- 2) CAUTION - DO NOT ROUTE FAN CORD BENEATH HEATER



VC 16

FIG 5

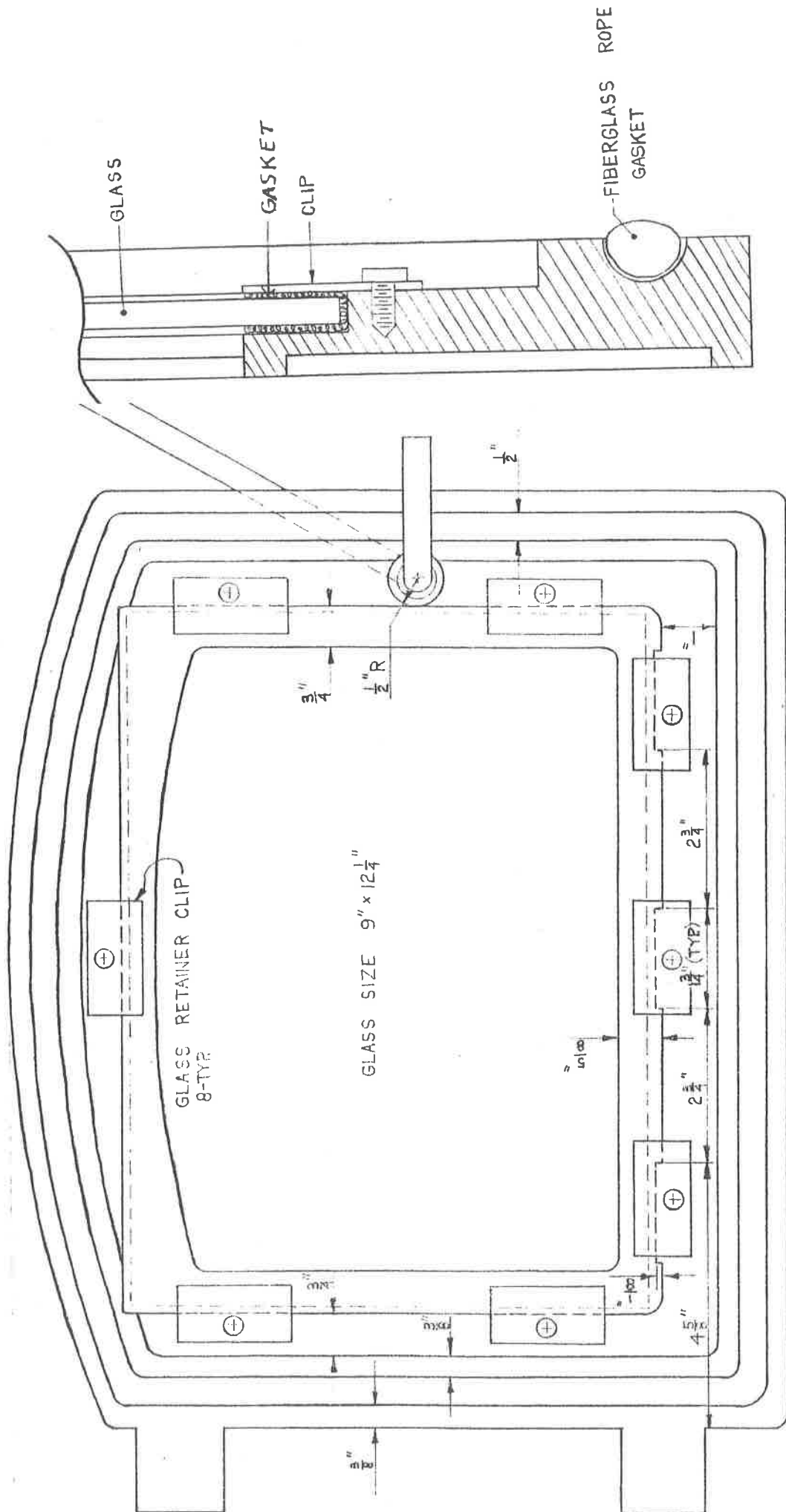


FIG 6 DOOR/GLASS

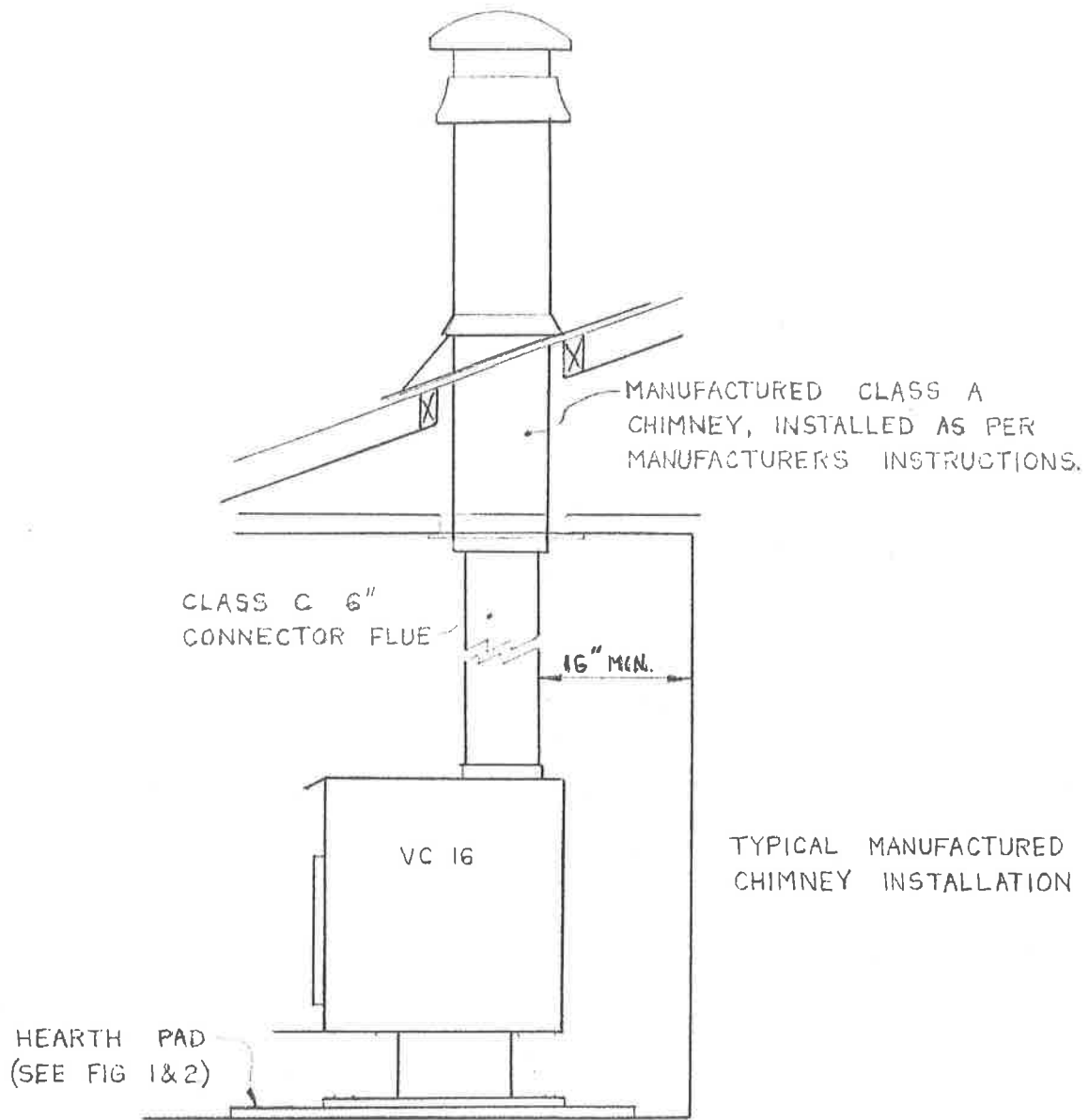


FIG 7

WARRANTY AND REGISTRATION

The Valley Comfort model VC16 is manufactured for Valley Comfort Systems Inc. and warranted by Classic Canada Ltd.

TERMS AND CONDITIONS OF WARRANTY

1) The warranty is null and void unless the original purchaser fully completes the warranty card and the card is received by Valley Comfort within thirty (30) days after date of purchase. The warranty is not assignable and is given only to the original owner.

2) Material and workmanship are warranted for a period of five (5) years from date of purchase. The warranty does not apply if damage occurs because of an accident, improper handling or operation, shipping damage, misuse, unauthorized repair made or attempted.

3) This warranty means that the stove will be repaired or replaced at our option. Only stoves that prove to be defective will be repaired or replaced. If any unit becomes defective during the warranty period, send the stove to the factory prepaid. All liability for any consequential damages for breach of any written or implied warranty is disclaimed and excluded here from. Some states do not allow for the exclusion or limitation of incidental or consequential damages, so the above limit or exclusion may not apply to you.

4) This warranty gives you specific legal rights and you may also have other rights which vary from state to state.

5) This warranty does not apply to glass or paint.

6) The factory address is :

Classic Canada Ltd., 501 Industrial Road B
Cranbrook, B.C. V1C 4H8