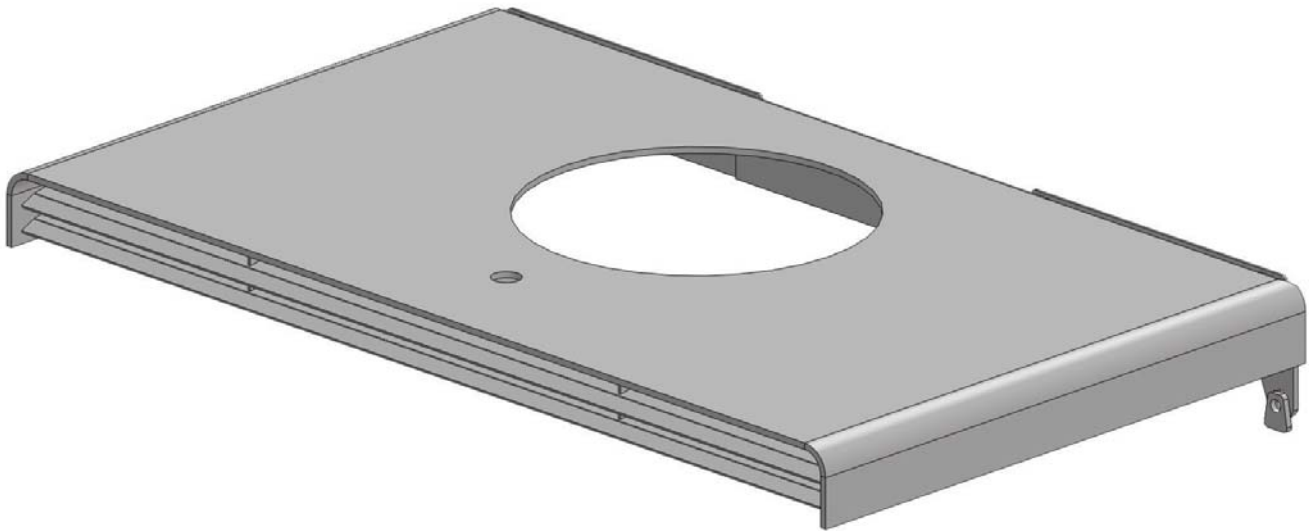




Z3815BK & Z3915BK

Z3815BK Convection Deck for Sirocco SC20.1

Z3915BK Convection Deck for Sirocco SC30.1



Manufactured By

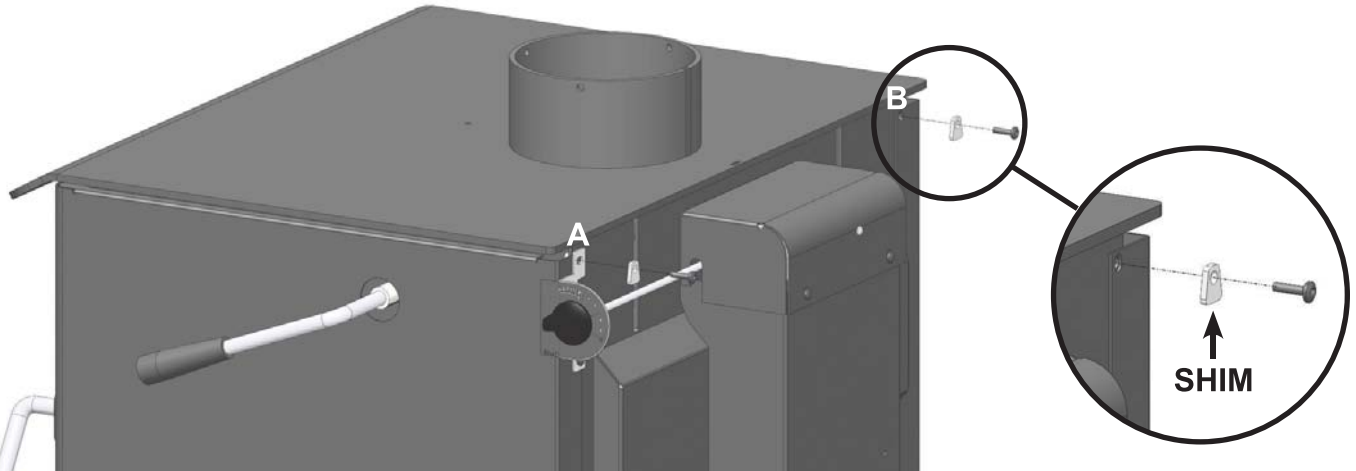
Valley Comfort Systems Inc., 1290 Commercial Way, Penticton, BC, V2A 3H5, Canada
Phone: 250-493-7444 ♦ Fax: 250-493-5833 ♦ www.blazeking.com ♦ info@blazeking.com

Z3815BK et Z3915BK CONVECTION DECK

INSTALLATION INSTRUCTIONS

TOOLS NEEDED FOR INSTALLATION: 5/32" Allen wrench
INSTALLATION

1. Remove catalytic thermometer from stove top.
2. Unscrew top allen bolts from back of stove. (**Fig.1 A & B**)
3. Thread bolts with SHIMS(from kit) back into holes **A** & **B** until bolt threads just catch (**Fig. 1**).



4. Hold the convection deck above the stove top, around flue collar, and align “KEY HOLES” with the bolts. (**Fig. 2**)
5. Position the convection deck past the bolt heads, set down on stove top, and tighten bolts **A** & **B** (**Fig. 2**)
6. Insert catalytic thermometer through hole in convection deck and down into stove (**Fig. 2**).

