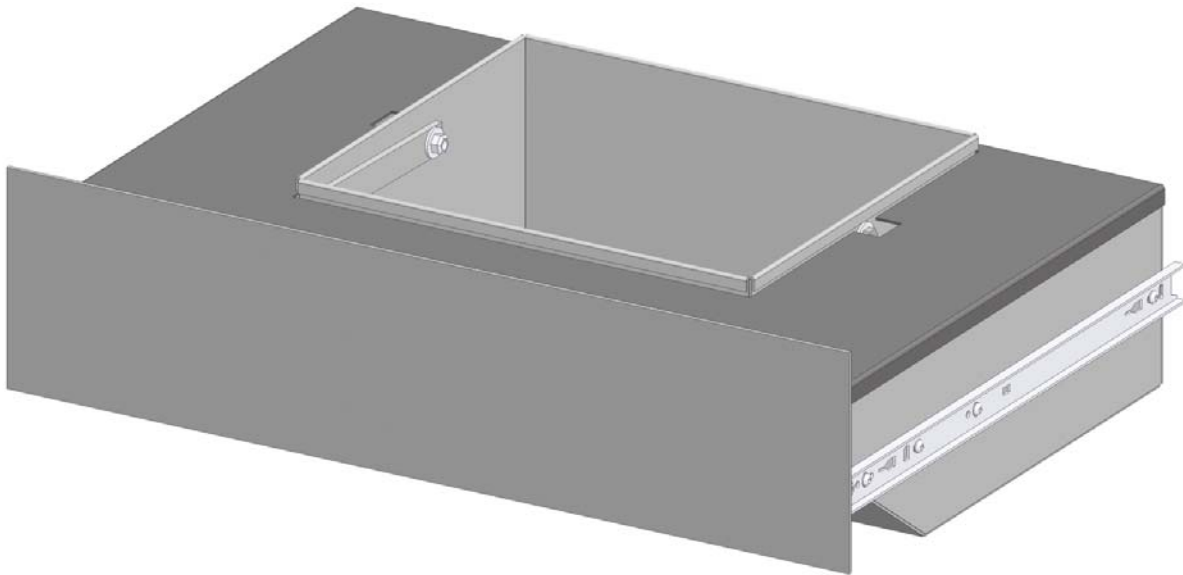


# Blaze King

## Z3810 & Z3910

**OPTIONAL ASH DRAWER**  
**Z3810 for Chinook (CK20.1)**  
**Z3910 for Chinook (CK30.1)**



**USE WITH SOLID FUEL WOOD HEATERS**  
**SAVE THESE INSTRUCTIONS**

**Manufactured By**

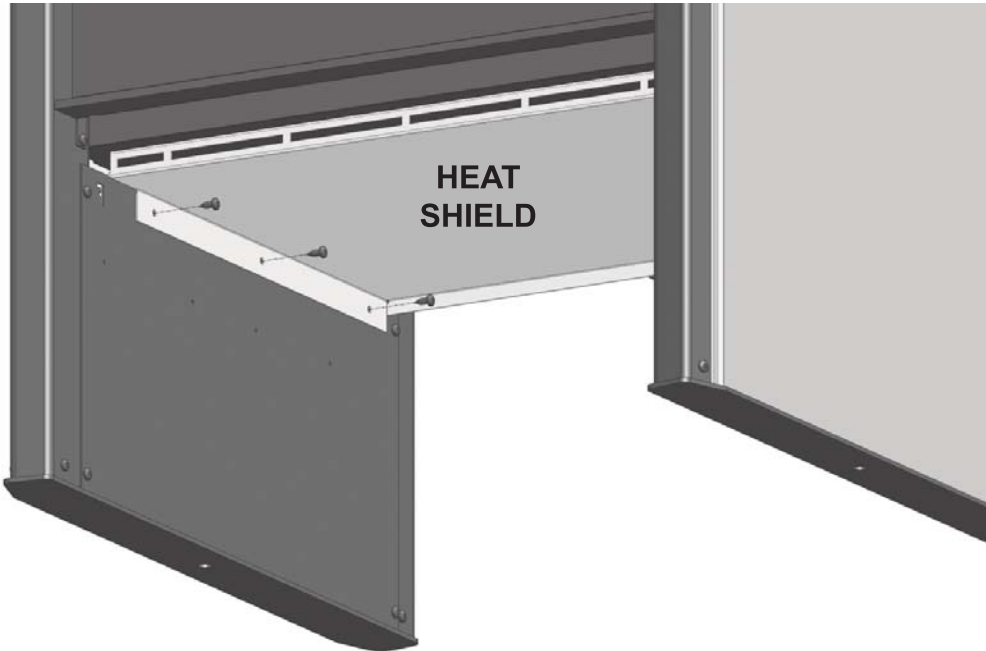
**Valley Comfort Systems Inc.**, 1290 Commercial Way, Penticton, BC, V2A 3H5, Canada  
Phone: 250-493-7444 ♦ Fax: 250-493-5833 ♦ [www.blazeking.com](http://www.blazeking.com) ♦ [info@blazeking.com](mailto:info@blazeking.com)

# Z3810 & Z3910 ASH DRAWER

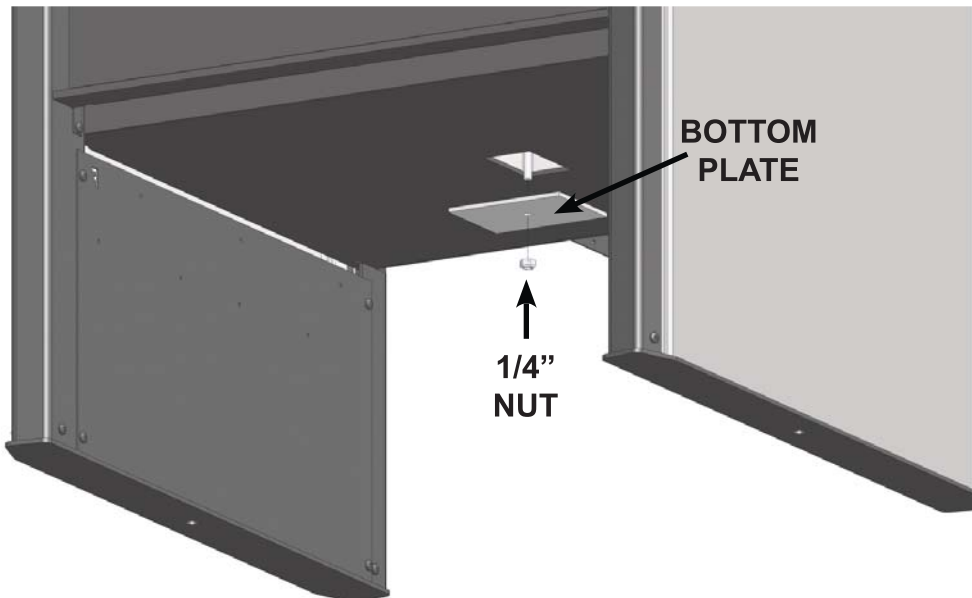
## INSTALLATION

**TOOLS REQUIRED:** Square Robertson #2 screw driver  
7/16" wrench or socket wrench

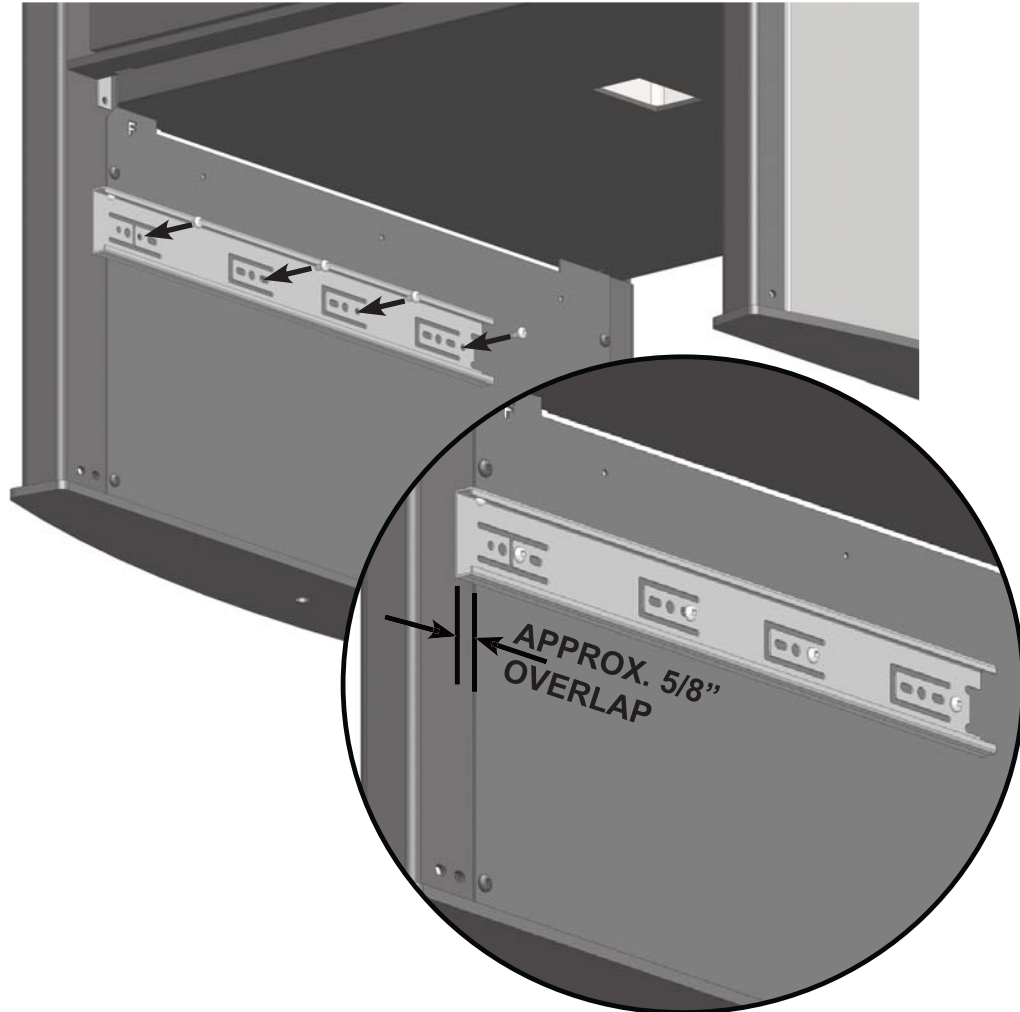
1. Before the ash drawer can be installed, the bottom "HEAT SHIELD" needs to be removed by unscrewing the six #10 screws. Remove the ceramic paper liner as well.



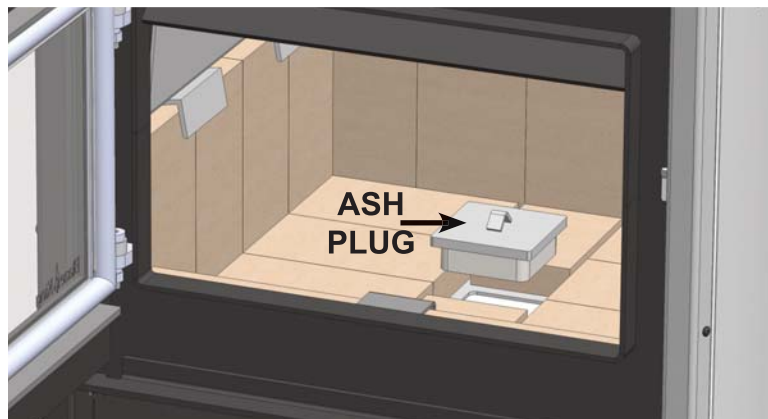
2. Remove the "1/4 inch NUT", "BOTTOM PLATE", and ash tube lid (inside stove).



3. Attach drawer slides to side panels with the included screws. Use the holes shown below.

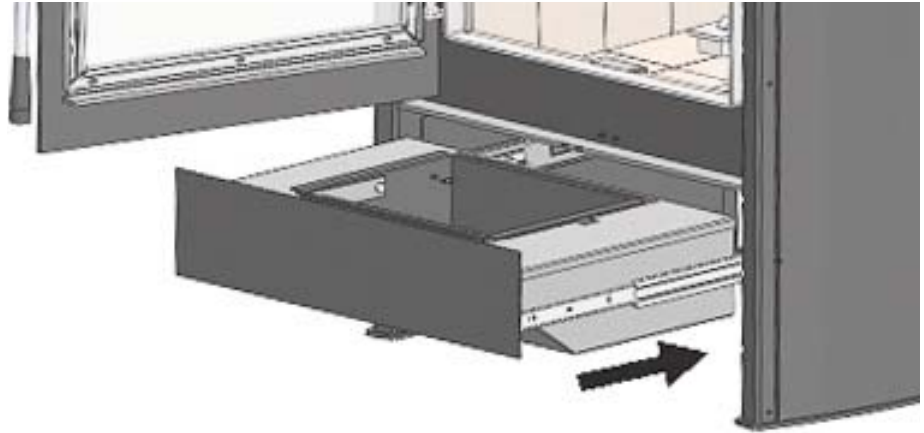


4. Place the "ASH PLUG" into the ash hole



## Z3810 & Z3910 ASH DRAWER

- Slide the drawer all the way into sliders (there will be resistance the first time you slide the ash drawer in.)



### DISPOSAL OF ASHES

#### **⚠️ WARNING**

**NEVER STORE HOT ASHES IN A GARAGE OR BASEMENT. HOT ASHES WILL GENERATE CARBON MONOXIDE AND/OR FLAMMABLE GASES. THESE GASES MAY CAUSE SUFFOCATION.**

Ashes should be placed in a metal container with a tight fitting lid. The closed container of ashes should be placed on a non combustible floor or on the ground, well away from all combustible materials, pending final disposal. If the ashes are disposed of by burial in soil or otherwise locally dispersed, they should be retained in the closed container until all cinders have thoroughly cooled.

#### ASH REMOVAL

The ashes should be removed any time they come within one inch of the door's lower sill. A thick bed of ashes will significantly limit the amount of wood you can get in the firebox. Wood burns best in a bed of ashes 1/2 inch to one inch thick. It is not necessary or advisable to completely remove all of the ashes when cleaning this wood stove.

#### ASH PAN REMOVAL

#### **⚠️ WARNING**

**REMOVE ASHES ONLY WHEN THEY ARE COOL. NEVER STORE HOT ASHES IN A GARAGE OR BASEMENT. HOT ASHES WILL GENERATE CARBON MONOXIDE AND / OR FLAMMABLE GASES. THESE GASES MAY CAUSE SUFFOCATION BE SURE YOU OBSERVE THE SAFETY INSTRUCTIONS REGARDING "DISPOSAL OF ASHES" DESCRIBED ABOVE.**

- After the ash bed has cooled down, remove the ash plug located at the bottom centre of the firebox by slipping a poker or similar tool through the small handle loop on the top of the plug.
- Scrape the ashes down through the open ash dump hole and into the ash pan fitted into the ash drawer carrier. Do not be concerned about "cleaning" the fire box completely as the next fire will burn better on a small bed of ash (up to 1/2" deep).
- When the necessary ashes have been dumped down the ash dump into the ash pan clean out the area around the dump to ensure that the plug fits properly back into the ash dump.
- REPLACE THE ASH DUMP PLUG CAREFULLY TO ENSURE PROPER SEATING; NEVER OPERATE THE STOVE WITH THE PLUG REMOVED. TO OPERATE THE STOVE WITH THE PLUG REMOVED OR NOT PROPERLY IN PLACE IS DANGEROUS.**
- After you have replaced the ash dump plug spread the remaining ashes across the firebox and cover the ash dump plug with a layer of ashes.
- ENSURE THE ASH PAN HAS COOLED DOWN AND IS SAFE TO HANDLE**  
Slide the ash drawer carrier open and remove the ash pan.  
**CAUTION: ENSURE THE ASH PAN HAS COOLED DOWN BEFORE REMOVAL.**
- Dispose of the ashes in a safe manner as described above: "DISPOSAL OF ASHES".
- Ensure the ash drawer carrier is clean before placing the ash pan back in. Replace the ash pan into it's carrier. It is important that the ash pan is properly inserted into the ash drawer carrier.