

VB1000 Variable Blower

Valley Comfort Systems Inc.

This variable speed blower is made for use with the Valley Comfort wood furnace Model MP80, Blaze King APEX CBT or Model VC120. The blower output can be adjusted to suite the application by adjusting the motor pulley to fan pulley ratio. Outputs between 900CFM and 1200 CFM are available with usual static pressure loads encountered in residential applications.

This kit contains

1) Blower cabinet with removable door.

2) Hardware kit & screws for assembly

QTY	INSTALLATION HARDWARE DESCRIPTION
1	DOOR HANDLE place in separate plastic bag
2	#10 X 1/2" SHEET METAL SCREWS
1	1/4" X 3/4" BOLT
1	1/4" NUT WITH LOCK STAR
1	1/4" X 1 1/4" FLAT WASHER
2	SQUARE HEAD 5/16"X3/4" BOLT
2	FLAT WASHER 5/16" X 5/8"
3	NUT 5/16" WITH LOCK STAR
1	5/16" "L" SHAPED ADJUSTMENT ROD
1	MOTOR ADJUSTMENT ROD BRACKET
1	GROMMET CAP FOR END OF ADJUSTMENT ROD
1	KNOCK OUT PLUG
1	Transformer 24 Volts

3) Cabinet door handle, this must be installed on the door using the (2) #10x1/2" sheet metal screws provided.

4) Blower unit, already installed in the cabinet

5) 1/3 hp fan motor, the motor is shipped inside the cabinet, bolted to the cabinet bottom. Installer must remove the 2 shipping bolts holding the motor and install the motor on the bar located on the top of the blower, using hardware supplied.

6) 20"x24" air filter, ensure the filter is in place at the top of the cabinet.

7) For convenience an electrical entrance hole is provided on both sides of the cabinet, use the knock out plug provided in the hardware kit to plug the unused hole.

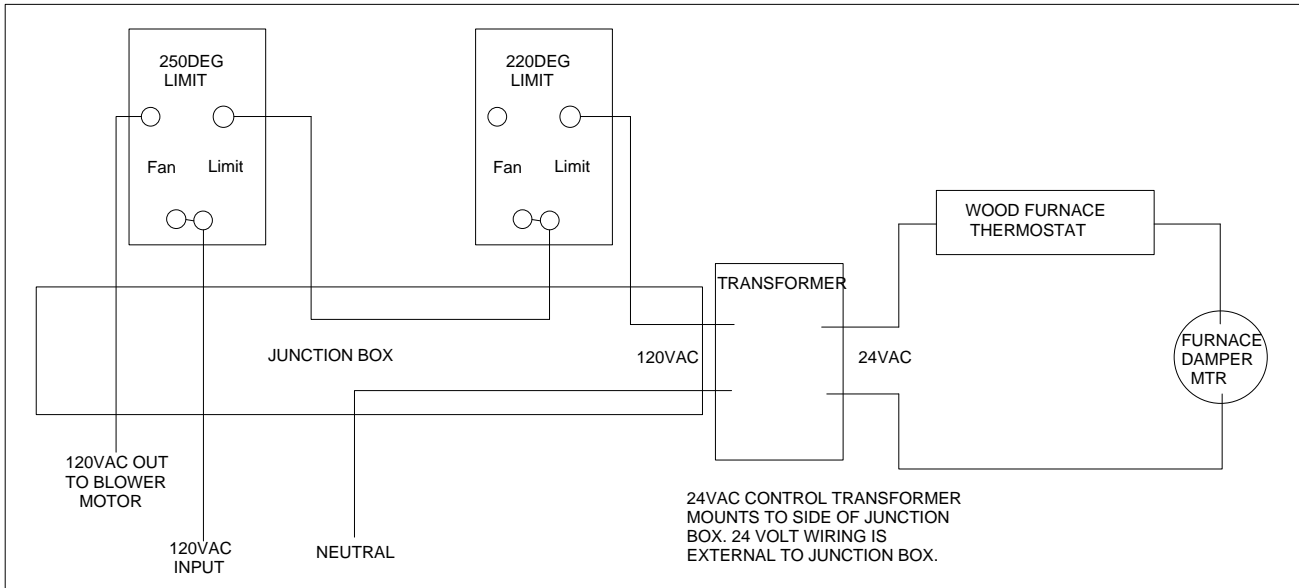
The VB1000 can be installed approximately mid point, on either side of the furnace cabinet. For apex, cut hole approx. 9" from front furnace.

A variable speed pulley is provided for use on the motor, when adjusting the size of this pulley you must tighten the locking screw on the outer flange to lock the pulley size. Be careful to tighten this locking screw on the flat groove on the inner flange to prevent damaging the threads. After the size has been adjusted to suite the particular system air requirements ensure the drive belt is well aligned and tensioned to ensure long belt life.

Electrical connections for VB1000 Blower.

NOTE - These electrical parts are part of the furnace control kit and are not supplied with the VB1000, the VB1000 comes complete with a listed Delhi G10, 120vac. Blower & 24 volt transformer only.

1) Conventional up flow application MP80 or VC120:



2) Counter flow installation using the CF6 kit, MP80 only. Not approved for use with VC120.

