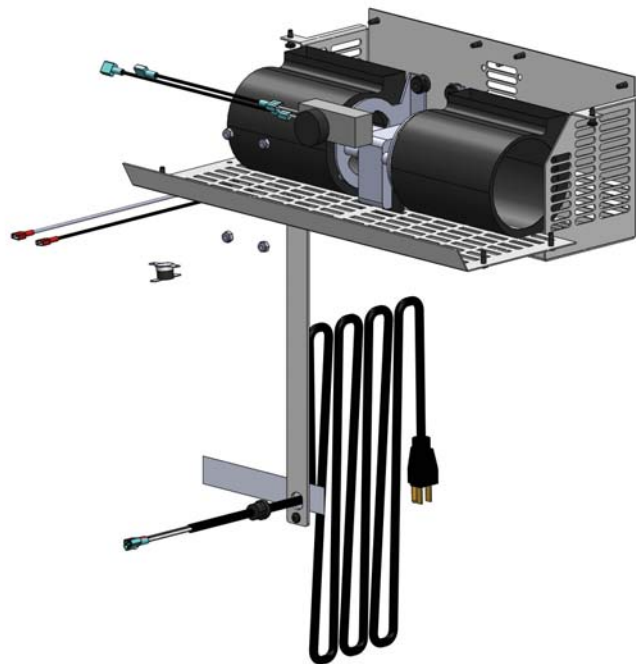




**S.Z5177.SP FAN KIT
for CLARITY 26 FS SP (Standing Pilot)
(S.CL26.FS.SP)**



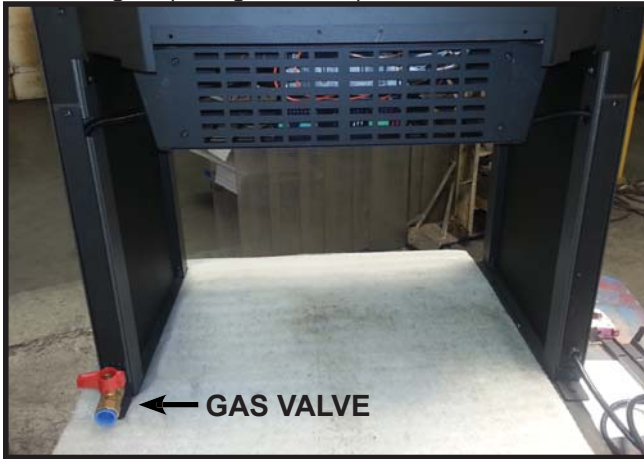
The blower will only come on when the fireplace is up to temperature (approximately 10-15 minutes). Fan speed control sequence is off , then maximum to minimum. The speed of the fan can be decreased by turning the knob clockwise . The speed of the fan can be increased by turning the knob counterclockwise. The blower will continue to operate after the burner is turned off (approximately 15-20 minutes). To turn the blower off manually, turn the fan control knob counterclockwise until it “clicks”.

Manufactured By

Valley Comfort Systems Inc., 1290 Commercial Way, Penticton, BC, V2A 3H5, Canada
Phone: 250-493-7444 ♦ Fax: 250-493-5833 ♦ www.blazeking.com ♦ info@blazeking.com

S.Z5177.SP FAN KIT for CLARITY 26 FS SP

1. Turn off gas (see gas valve).



4. Screw the top of the power cord plate to the leg.



2. Feed power cord assembly wires through slot and plastic bushing of leg.



5. Screw the bottom of the power cord plate to the leg.



3. Feed power cord assembly wires through the control housing's plastic bushing.



6. Lay blower assembly on blower box between legs. Slide the fan rheostat into the control plate hole as shown.



7. Attach the star washer and nut to the rheostat peg on the front of the control panel.



10. Connect the black "B" wire front the rheostat with the black "B" wire from the power cord.



8. Slide the control knob onto the rheostat post.



11. Connect the black "W" wire from the fan assembly with the white "W" wire from the power cord.



9. Slide the snap disk into the snap disk bracket that is above the rheostat on the firebox bottom. Ensure the snap disk tabs are both seated into the bracket.



12. Position the fan into place as shown.



Ensure the side tabs are between the support panel and the firebox bottom panel.

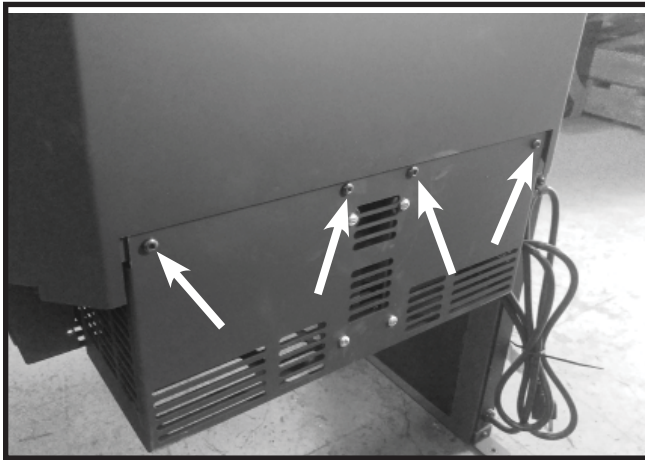
S.Z5177.SP FAN KIT for CLARITY 26 FS SP



13. Screw the fan assembly to the appliance:
2 screws (1 each side) into the firebox bottom.



4 screws to secure the back.



14. Feed the power cord ground wire through



Screw the power cord ground wire to the wire cover and control housing side.



Screw in remaining 3 screws to fasten wire cover.

CLARITY 26 FS SP WIRING

