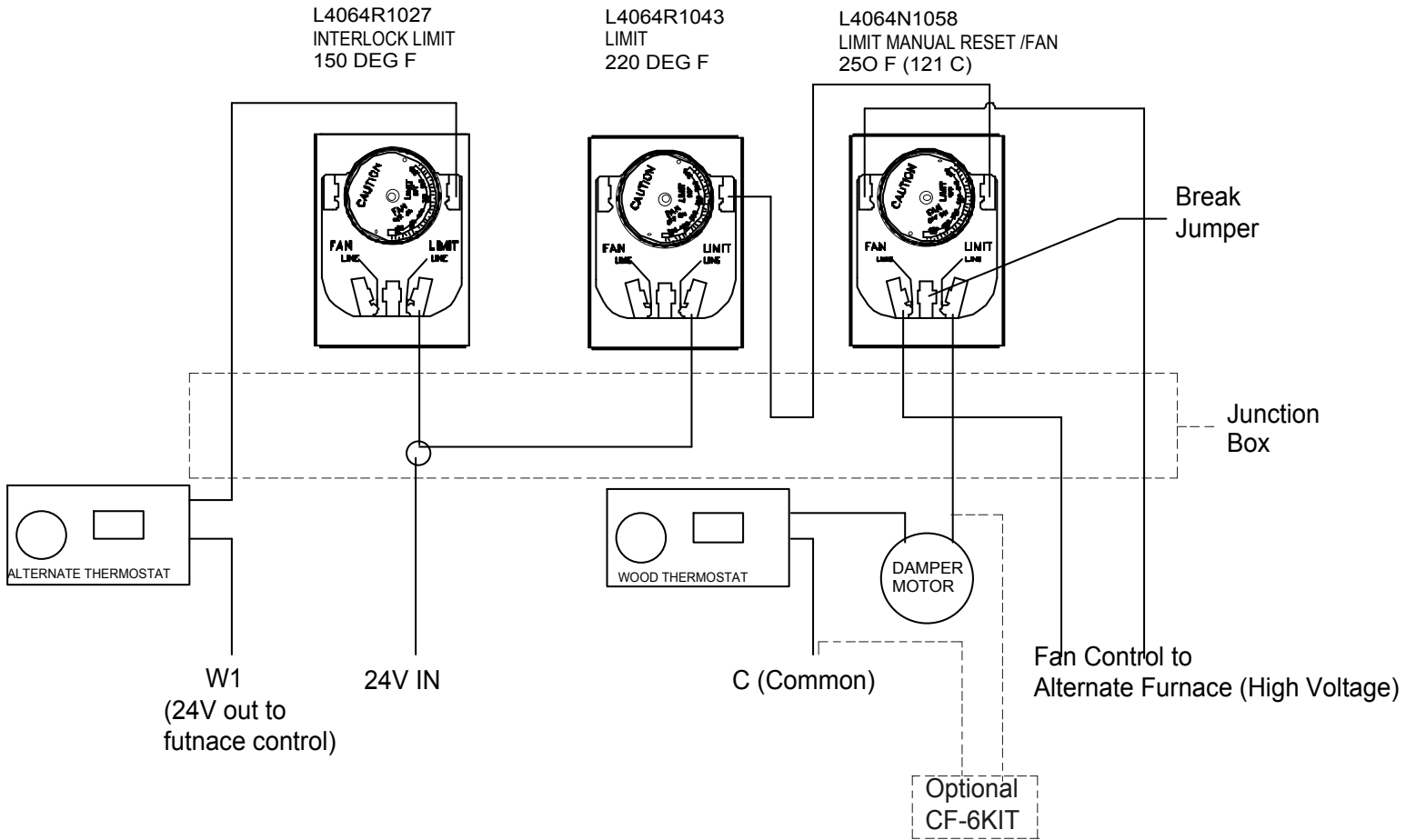


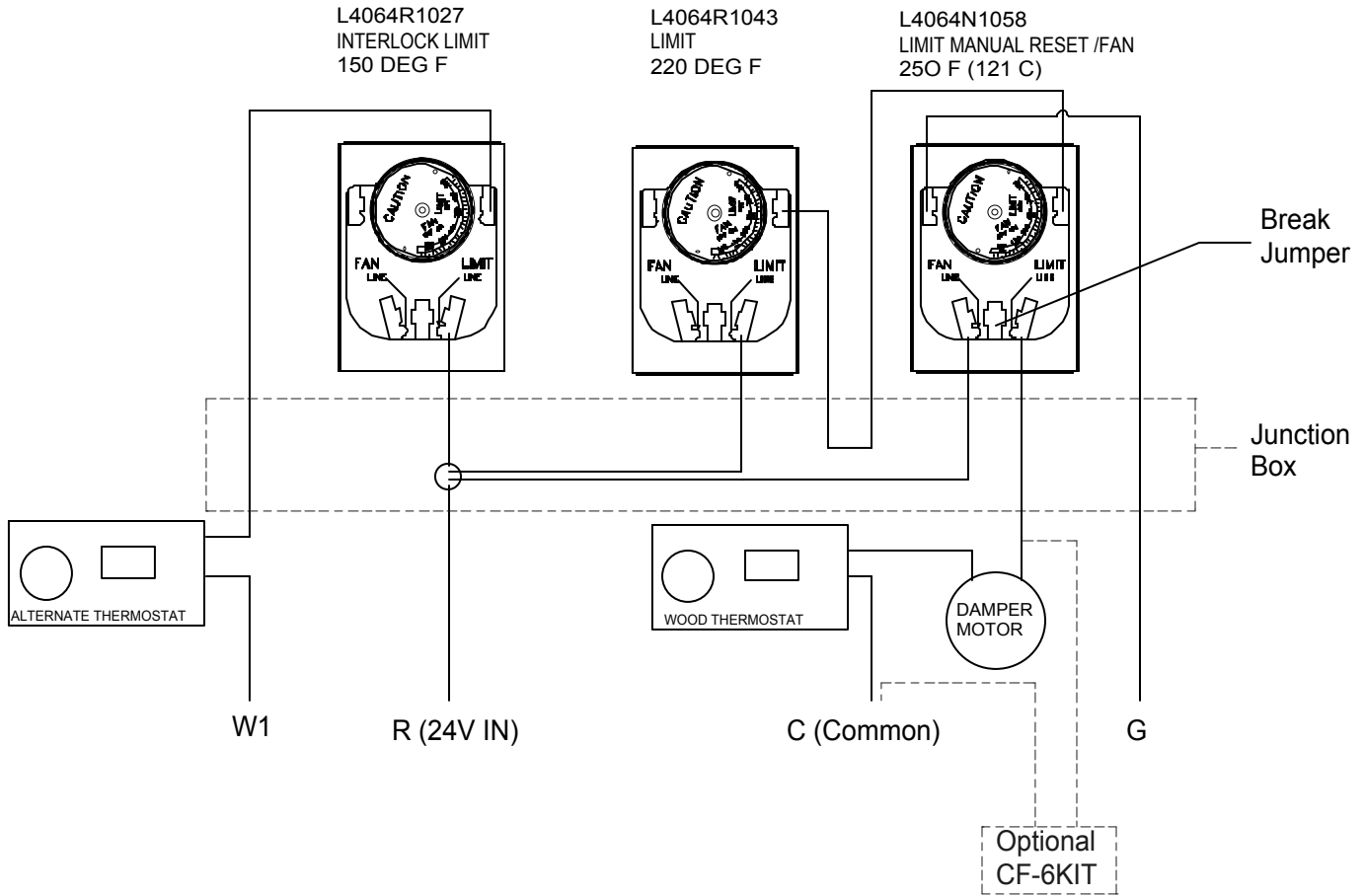
**DIAGRAM 6 TYPICAL WIRING FOR WOOD / GAS, WOOD / OIL OR WOOD/  
ELECTRIC COMBINATIONS**



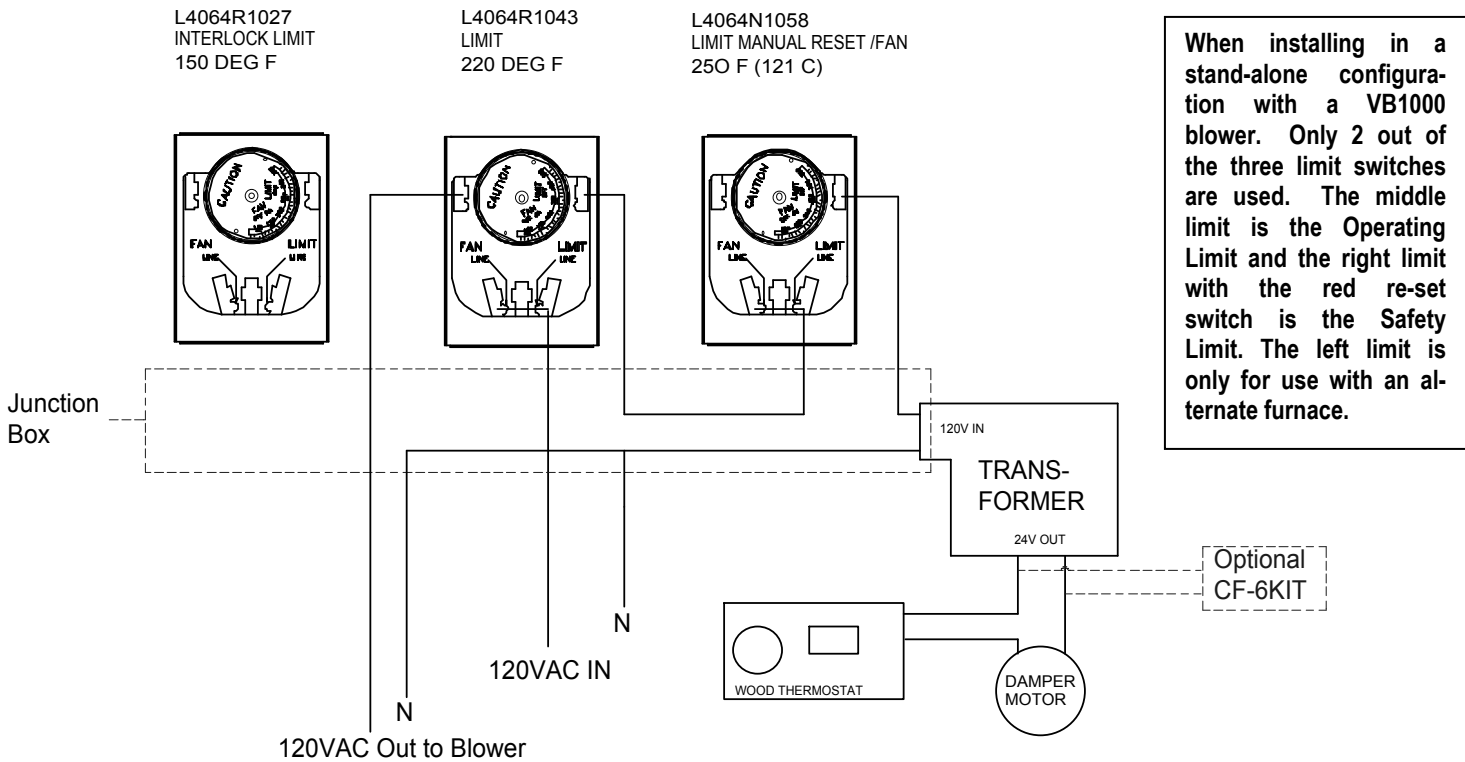
**INDEPENDENT WOOD FURNACE**

When installed with a blower cabinet mounted on either side the MP80 becomes an INDEPENDENT wood only furnace. The blower must have a minimum 900 cfm. capacity. In this configuration the interlock function of the transfer relay is not used. See Electrical Diagram 7 on page 21.

**DIAGRAM 8A WIRING CONNECTIONS WHEN USING ELECTRICAL FURNACE WITH W1,R,C&G CONNECTIONS.**



**DIAGRAM 7 WIRING AS AN INDEPENDENT FORCED AIR WOOD FURNACE EQUIPPED WITH A VB1000 BLOWER**



**24 Volt Transformer comes with the VB1000 Blower**